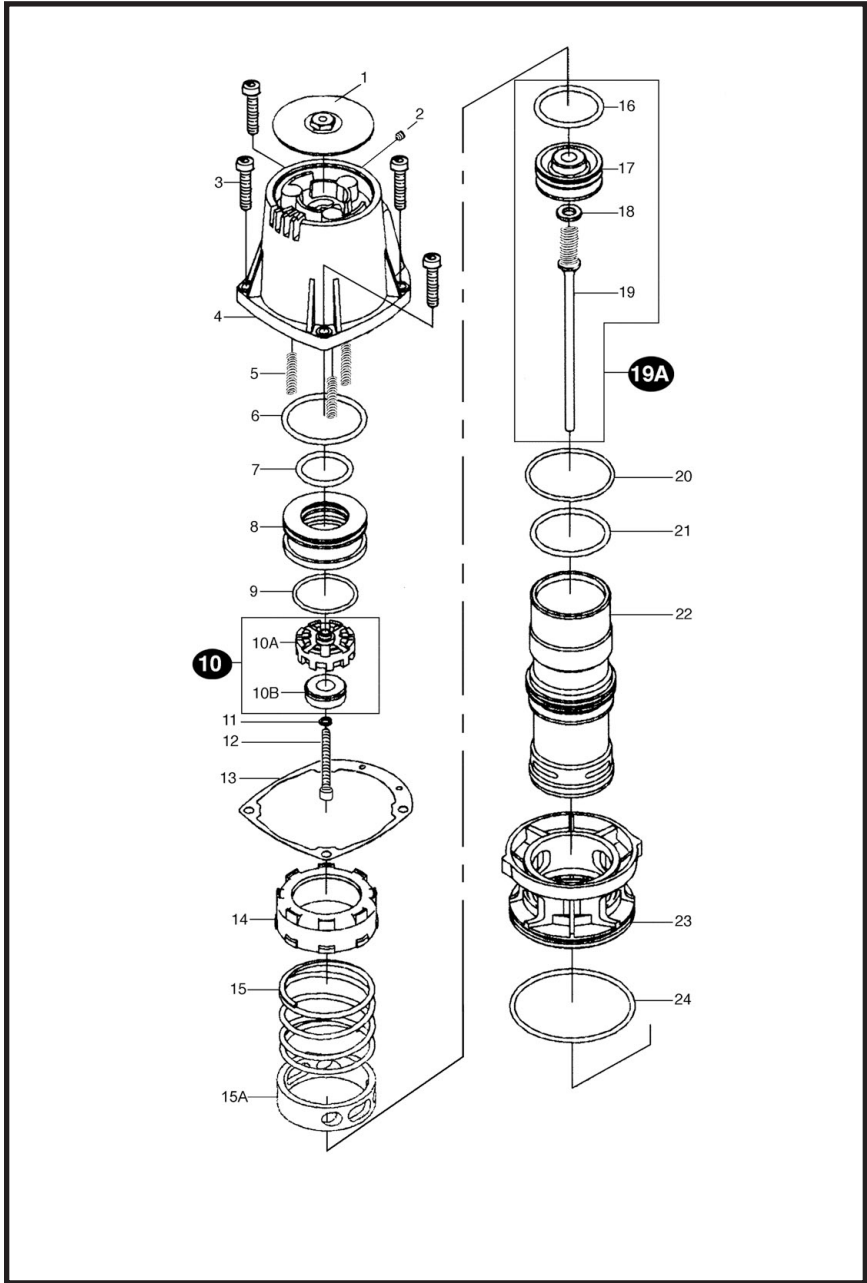


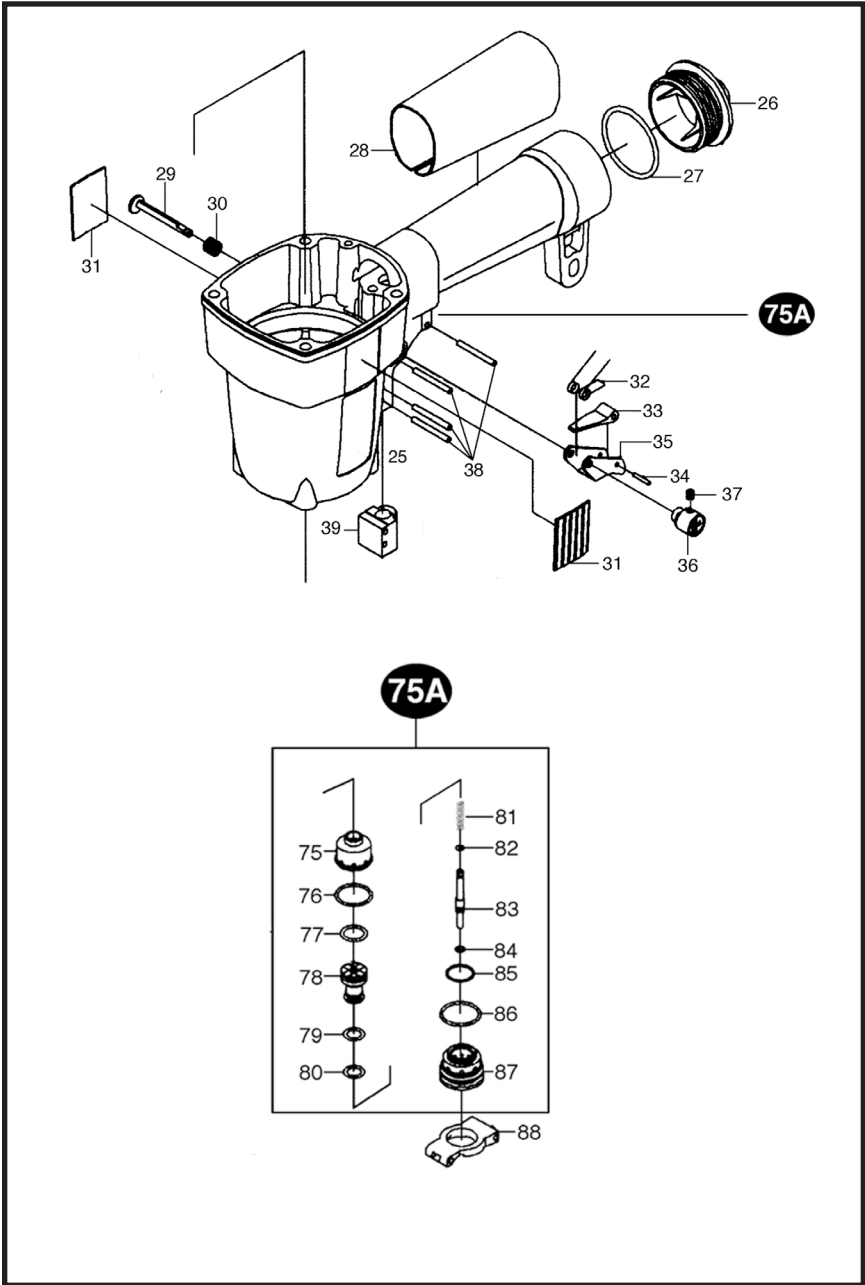
GYPFAST AIR HD TOOL SCHEMATIC



GYPFAST AIR HD PARTS LIST _____

KEY	PART NUMBER	DESCRIPTION
1	2597910	BUSHING/PLATE EXHAUST
2	2437910	SET SCREW
3	2438910	SCREW, CAP HD AIR (4 REQ'D)
4	2439910	CAP HD AIR
5	2600910	SPRING (3 REQ'D)
6	2601910	O-RING, LARGE POPPET
7	2602910	O-RING, SMALL POPPET
8	2603910	POPPET
9	2604910	O-RING, EXHAUST SEAL
11	2606910	WASHER, EXHAUST SEAL
12	2607910	SCREW, EXHAUST SEAL
13	2608910	GASKET, CAP
14	2609910	SLEEVE, SEAL
15	2610910	SPRING, SEAL SLEEVE
15A	2441910	EXHAUST RING, HD AIR
16	2611910	O-RING, PISTON
20	2616910	O-RING, LARGE CYLINDER
21	2617910	O-RING, SMALL CYLINDER
22	2445910	CYLINDER HD AIR
23	2619910	RING, CYLINDER
24	2620910	O-RING, CYLINDER RING

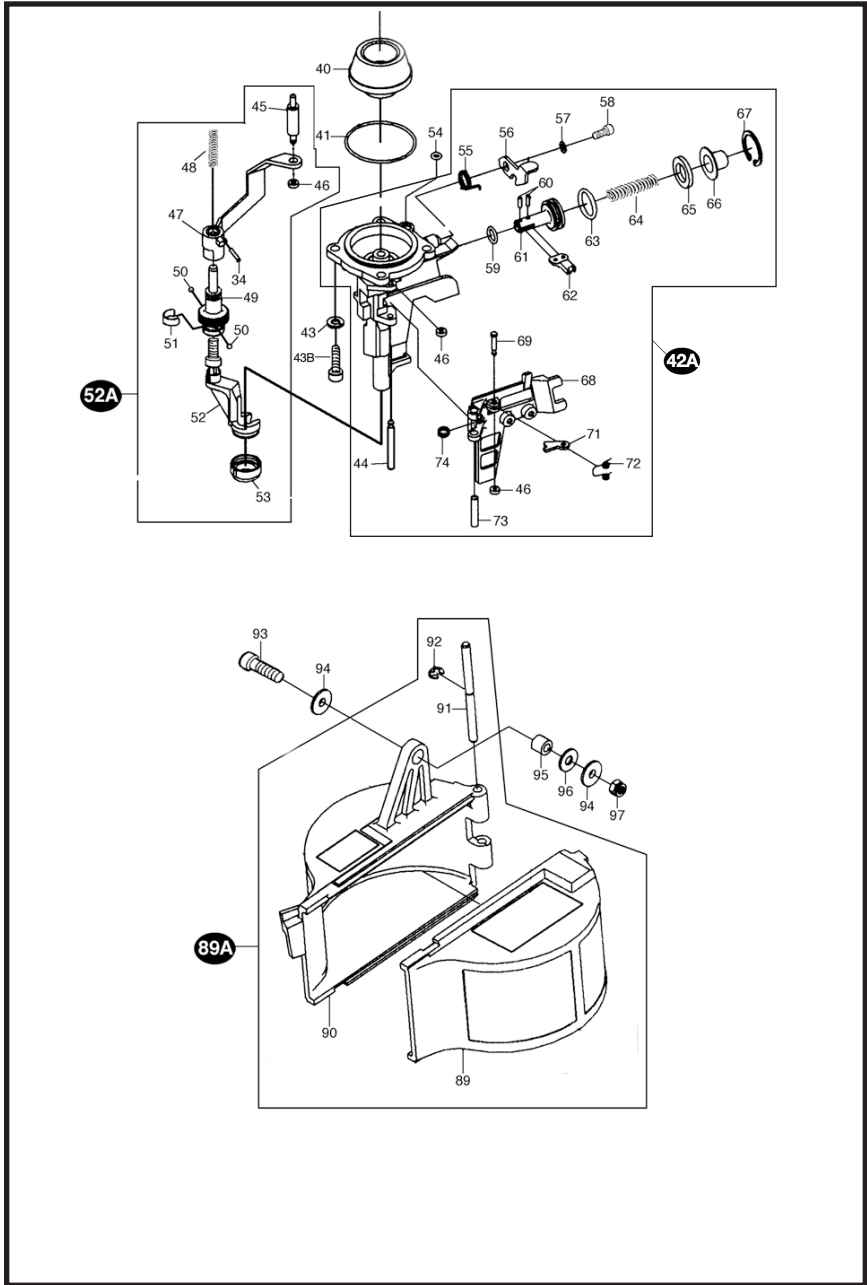
GYPFAST AIR HD TOOL SCHEMATIC



GYPFAST AIR HD PARTS LIST _____

KEY	PART NUMBER	DESCRIPTION
25	2621910	HANDLE
26	2622910	CAP, REAR
27	2623910	O-RING, REAR CAP
28	2624910	COVER, GRIP
29	2625910	PIN, TRIGGER
30	2626910	SPRING, TRIGGER PIN
31	2627910	COVER, SIDE
32	2628910	SPRING, TORSION, TRIGGER
33	2629910	LEVER, TRIP
35	2631910	TRIGGER
36	2632910	KNOB, SWITCH
37	2633910	SET SCREW, SWITCH KNOB
38	2634910	ROLL PIN, HANDLE (4 REQ'D)
39	2635910	ROD GUIDE
88	2684910	PLATE, TRIGGER

GYPFAST AIR HD TOOL SCHEMATIC



GYPFAST AIR HD PARTS LIST _____

KEY	PART NUMBER	DESCRIPTION
40	2636910	BUMPER
41	2637910	O-RING, NOSE
43	2639910	WASHER (4 REQ'D)
43B	2450910	SCREW, HD AIR (4 REQ'D)
44	2640910	PIN, GATE
46	2666910	WASHER, URETHANE
50	2646910	BALL BEARINGS (PKG OF 2)
51	2647910	BAND RETAINER
53	2649910	TIP, YOKE
54	2650910	O-RING, ROD GUIDE
55	2651910	TORSION SPRING, LATCH
56	2652910	LATCH
57	2653910	WASHER, LATCH
58	2654910	SCREW, LATCH
59	2655910	SMALL FEED PISTON O-RING
60	2656910	ROLL PIN, FEED PISTON
61	2657910	PISTON, FEED
62	2658910	TIP, FEED
63	2659910	LARGE FEED PISTON O-RING
64	2660910	SPRING, FEED PISTON
65	2661910	CUSHION, FEED
66	2662910	COVER, FEED
67	2663910	RING, STOP
68	2664910	GATE
69	2665910	PIN, GATE
71	2667910	TIP, BACKUP
72	2668910	SPRING, BACKUP TIP
73	2669910	SPACER, GATE
74	2670910	TORSION SPRING, GATE
93	2689910	SCREW, MAGAZINE
94	2690910	WASHER
95	2691910	SPACER, GATE
96	2692910	WASHER, RUBBER
97	2693910	NUT

GYPFAST AIR HD ASSEMBLIES _____

OVERHAUL O-RING KIT — PART NO. 2699910

SCHEMATIC NO.	QTY	DESCRIPTION
6	1	O-RING, LARGE POPPET
7	1	O-RING, SMALL POPPET
9	1	O-RING, EXHAUST SEAL
16	1	O-RING, PISTON
20	1	O-RING, LARGE CYLINDER
21	1	O-RING, SMALL CYLINDER
24	1	O-RING, CYLINDER RING
59	1	O-RING, SMALL FEED PISTON
63	1	O-RING, LARGE FEED PISTON

EXHAUST ASSEMBLY — Part No. 2695910 (SCHEMATIC No. 10)

SCHEMATIC NO.	QTY	DESCRIPTION
10A	1	SEAL, EXHAUST
10B	1	CUSHION

PISTON ASSEMBLY — PART NO. 2458910 (SCHEMATIC NO. 19A HD)

SCHEMATIC NO.	QTY	DESCRIPTION
16	1	O-RING, PISTON HD AIR
17	1	PISTON HD AIR
18	1	WASHER, PISTON
19	1	DRIVER BLADE, PISTON HD AIR

GYPFAST AIR HD ASSEMBLIES _____

NOSE ASSEMBLY - PART NO. 2448910 (SCHEMATIC NO. 42A HD) SCHEMATIC NO. QTY DESCRIPTION

44	1	PIN, GATE
46	1	WASHER, URETHANE
55	1	TORSION SPRING, LATCH
56	1	LEVER, MAGAZINE
57	1	WASHER, LATCH
58	1	SCREW, LATCH
59	1	SMALL FEED PISTON O-RING
60	2	ROLL PIN, FEED PISTON
61	1	PISTON FEED
62	1	TIP-FEED
63	1	O-RING, LARGE
64	1	SPRING, FEED PISTON
65	1	CUSHION, FEED
66	1	COVER, FEED
67	1	RING, STOP
68	1	GATE
69	1	PIN, GATE
71	1	TIP, BACKUP
72	1	SPRING, BACKUP TIP
73	1	SPACER, GATE
74	1	TORSION SPRING, GATE

GYPFAST AIR HD ASSEMBLIES

SAFETY YOKE ASSEMBLY — PART NO. 2459910 (SCHEMATIC NO. 52A HD)

SCHEMATIC NO.	QTY	DESCRIPTION
34	1	ROLL PIN
45	1	ROD, TRIGGER
46	1	WASHER, TRIGGER ROD
47	1	YOKE, UPPER HD AIR
48	1	SPRING, UPPER YOKE
49	1	KNOB, ADJUSTMENT
50	2	BALL BEARINGS, ADJ. KNOB
51	1	BAND RETAINER
52	1	YOKE, SAFETY HD AIR
53	1	TIP, YOKE

VALVE ASSEMBLY — PART NO. 2694910 (SCHEMATIC NO. 75A HD)

SCHEMATIC NO.	QTY	DESCRIPTION
75	1	HOUSING VALVE
76	1	O-RING, VALVE HOUSING
77	1	O-RING, SMALL VALVE HOUSING
78	1	STEM, VALVE
79	1	O-RING, VALVE STEM
80	1	O-RING, VALVE STEM
81	1	SPRING, VALVE PIN
82	1	O-RING, SMALL VALVE PIN
83	1	PIN, VALVE
84	1	O-RING, VALVE PIN
85	1	O-RING, SMALL VALVE COVER
86	1	O-RING, VALVE COVER
87	1	COVER, VALVE

GYPFAST AIR HD ASSEMBLIES _____

MAGAZINE ASSEMBLY - Part No. 2696910 (Schematic No. 89A HD)

SCHEMATIC NO. QTY DESCRIPTION

89	1	DOOR, MAGAZINE
90	1	MAGAZINE
91	1	PIN, HINGE
92	1	E-RING, HINGE PIN