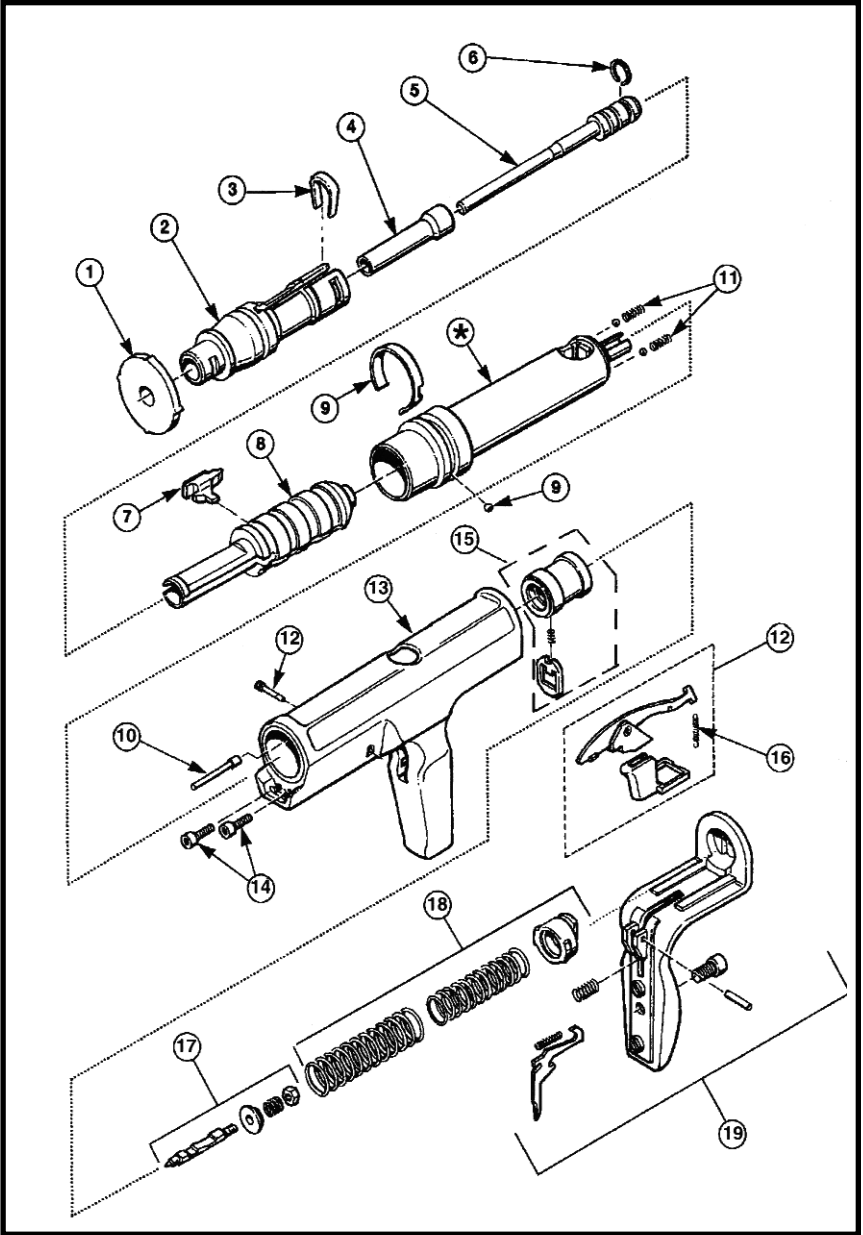


PARTS SCHEMATIC

COBRA TOOL SCHEMATIC



COBRA TOOL PARTS LIST

KEY	PART NO.	DESCRIPTION
1	SC301500	SPALL GUARD
2	SC301009	FRONT BARREL (BASEPLATE)
3	SC301011A	SHEAR CLIP (PKG. OF 3)
4	SC301010	FASTENER GUIDE
5	SC301200A	PISTON ASSEMBLY
6	SC301208	PISTON RING
7	SC301012	PAWL (STOP)
8	SC301006	REAR BARREL (PISTON SLEEVE)
9	SC301014A	BARREL RETENTION ASSEMBLY
10	SC301016	PUSH PIN
11	SC301046A	DETENT BALL ASSEMBLY
12	SC301034A	TRIGGER ASSEMBLY AND PIN
13	SC301001	TOOL BODY
14	SC301113	BOLT (2)
15	SC301300A	SEAR HOLDER ASSEMBLY
16	SC301531	SPRING, ADVANCE BAR
17	SC301400	FIRING PIN ASSEMBLY
18	SC301026A	FIRING PIN SPRING ASSEMBLY
19	SC301600	HANDLE ASSEMBLY